



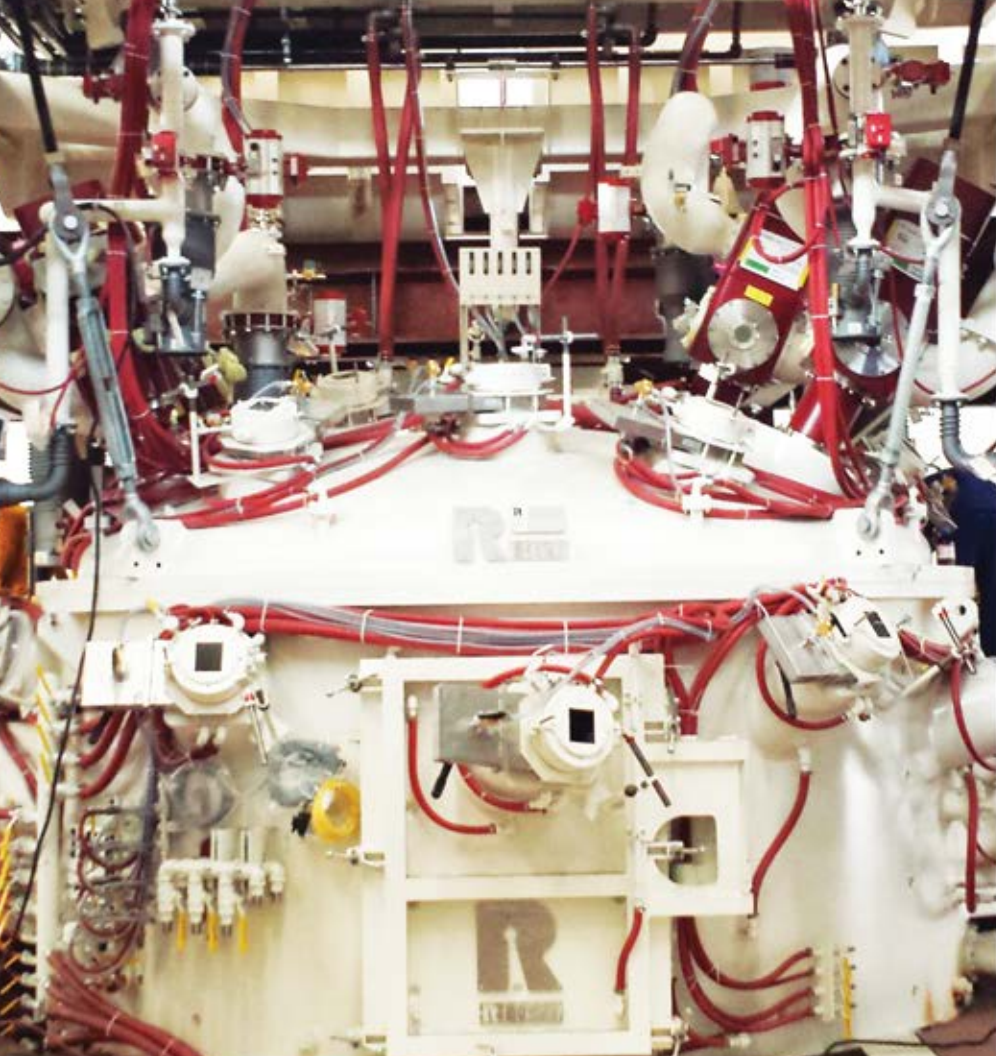
**RETECH**  
A SECO/WARWICK COMPANY



Since 1963, **Retech Systems LLC** has been a global leader in the supply of vacuum metallurgical processing equipment. Our advanced process technologies for melting, refining and casting reactive, refractory, and rare earth metals, as well as superalloys include:

- **Plasma Hearth Melting (PAM)**
- **Electron Beam Melting (EB)**
- **Vacuum Induction Melting (VIM)**
- **Vacuum Arc Remelting (VAR)**
- **Rototrode® (non-consumable casting)**
- **Plasma & Electron Beam Welding**
- **Powder Systems**
- **Cold Wall Induction**
- **SC/DS/EO**
- **Casting Systems**

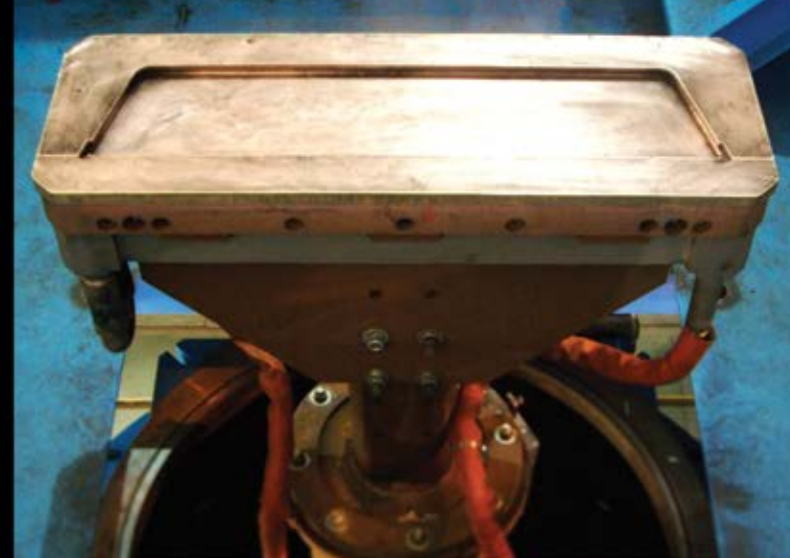
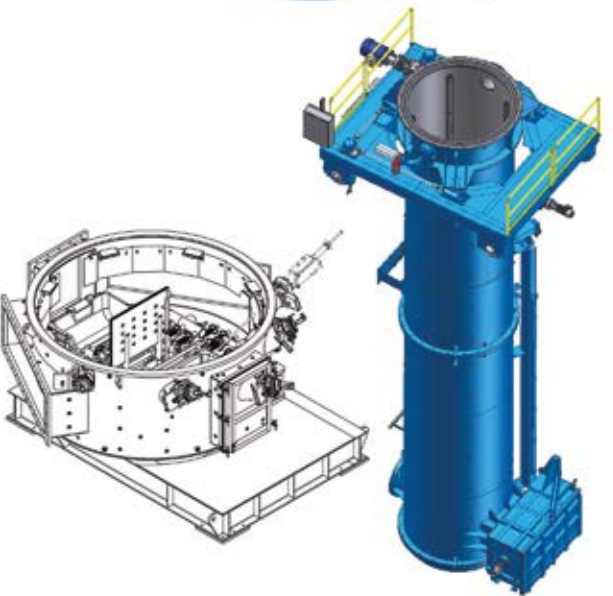
As the most fully integrated furnace manufacturer in the world, we provide customer access to a wide range of in-house resources, including technology, material and process development. Whether a laboratory scale furnace or complete custom design, identifying customer needs, as well as understanding the importance of producing relevant, viable, and cost-effective technologies, is the foundation upon which Retech is built.



A **Retech Electron Beam (EB)** furnace utilizes the ease of use and low maintenance of Von Ardenne guns to melt reactive and refractory metals in a sealed vacuum chamber. Our EB melting systems for specialty metals include the following:

- Proven Refining Technology to Eliminate High & Low Density Inclusions
- Sizes from Single-Gun, Lab-scale, to Multi-Gun Systems for Melting Many Tons
- Flexible Feed and Withdrawal Chambers to Meet Customer Needs
- Accepts a Variety of Feed Materials & Shapes
- Advanced Process Control & Data Acquisition

**Von Ardenne**, the world leader in Electron Beam technology for over 30 years, offers Retech the ideal partner to produce the finest, most durable production instruments to exceed the requirements of our most sophisticated customers.





**Retech Systems LLC**

100 Henry Station Road  
Ukiah, CA 95482  
USA

**Phone:** +1 (707) 462-6522

**Fax:** +1 (707) 462-4103

[sales@retechsystemsllc.com](mailto:sales@retechsystemsllc.com)

[www.retechsystemsllc.com](http://www.retechsystemsllc.com)

**SECO/WARWICK S.A.**

8 Sobieskiego Str.  
66-200 Świebodzin  
Poland

**Phone:** +48 68 38 20 500

**Fax:** +48 68 38 20 555

[info@secowarwick.com.pl](mailto:info@secowarwick.com.pl)

[www.secowarwick.com.pl](http://www.secowarwick.com.pl)

**SECO/WARWICK Retech**

Thermal Equipment Manufacturing  
(Tianjin) Co., Ltd.  
7B Second Xeda Road  
300385 Tianjin  
China

**Phone:** +86 22 23828300

**Fax:** +86 22 23828305

[sales@secowarwick.com.pl](mailto:sales@secowarwick.com.pl)

[www.swretch.com.cn](http://www.swretch.com.cn)

**Visit One Of Our Websites to Find Your Local Representative**